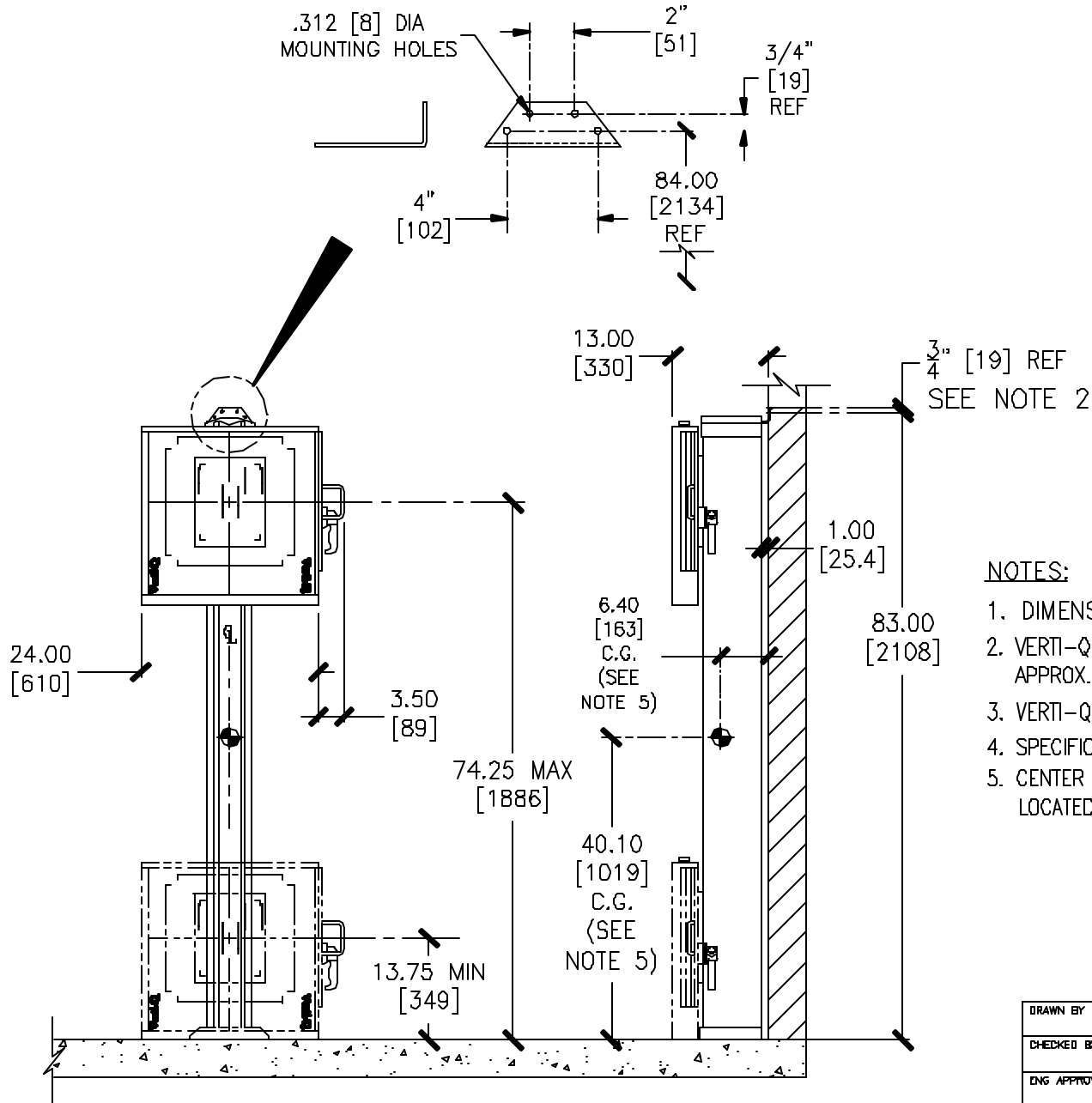


# VERTI-Q MOUNTING BRACKET

REVISIONS				
REV	ECO	DESCRIPTION	DATE	DRAWN BY
A	N/A	RELEASED	7-31-01	DW



**NOTES:**

1. DIMENSIONS WITHIN [ ] ARE IN MILLIMETERS.
2. VERTI-Q MOUNTING POINTS MUST WITHSTAND APPROX. 150 LBS [68.04 kg] PULL.
3. VERTI-Q WEIGHT: 225lbs.
4. SPECIFICATIONS SUBJECT TO CHANGE WITHOUT PRIOR NOTICE.
5. CENTER OF GRAVITY (C.G.) IS CALCULATED WITH BUCKY LOCATED 54" FROM CENTER TO FLOOR (APPROX. CHEST HEIGHT).

**PROPRIETARY**

THIS DOCUMENT EMBODIES PROPRIETARY RIGHTS OF QMI LLC. IT IS FURNISHED FOR REFERENCE ONLY. ALL OTHER USE IS PROHIBITED.  
COPYRIGHT © 2001 QMI

DRAWN BY DON WHITE	DATE 7-31-01	<b>Quantum Medical Imaging, LLC</b>		
CHECKED BY		TITLE VERTI-Q VERTICAL BUCKY STAND		
ENG APPROVAL		MODEL NO(S) QW-420	DWG/PART NO DC80-018	REV A
QA APPROVAL		SCALE NOT TO SCALE   DWG CAT   DOCUMENTATION		SHEET 1 OF 1
MFB APPROVAL				