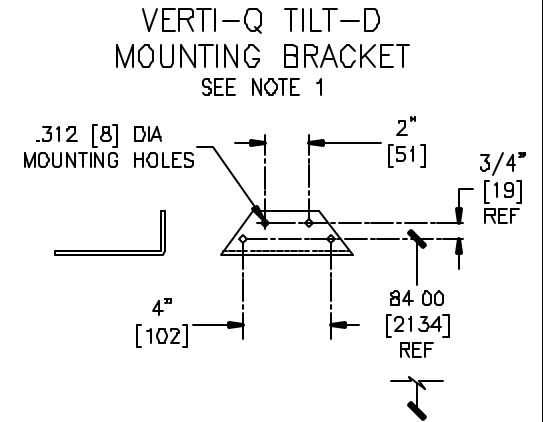
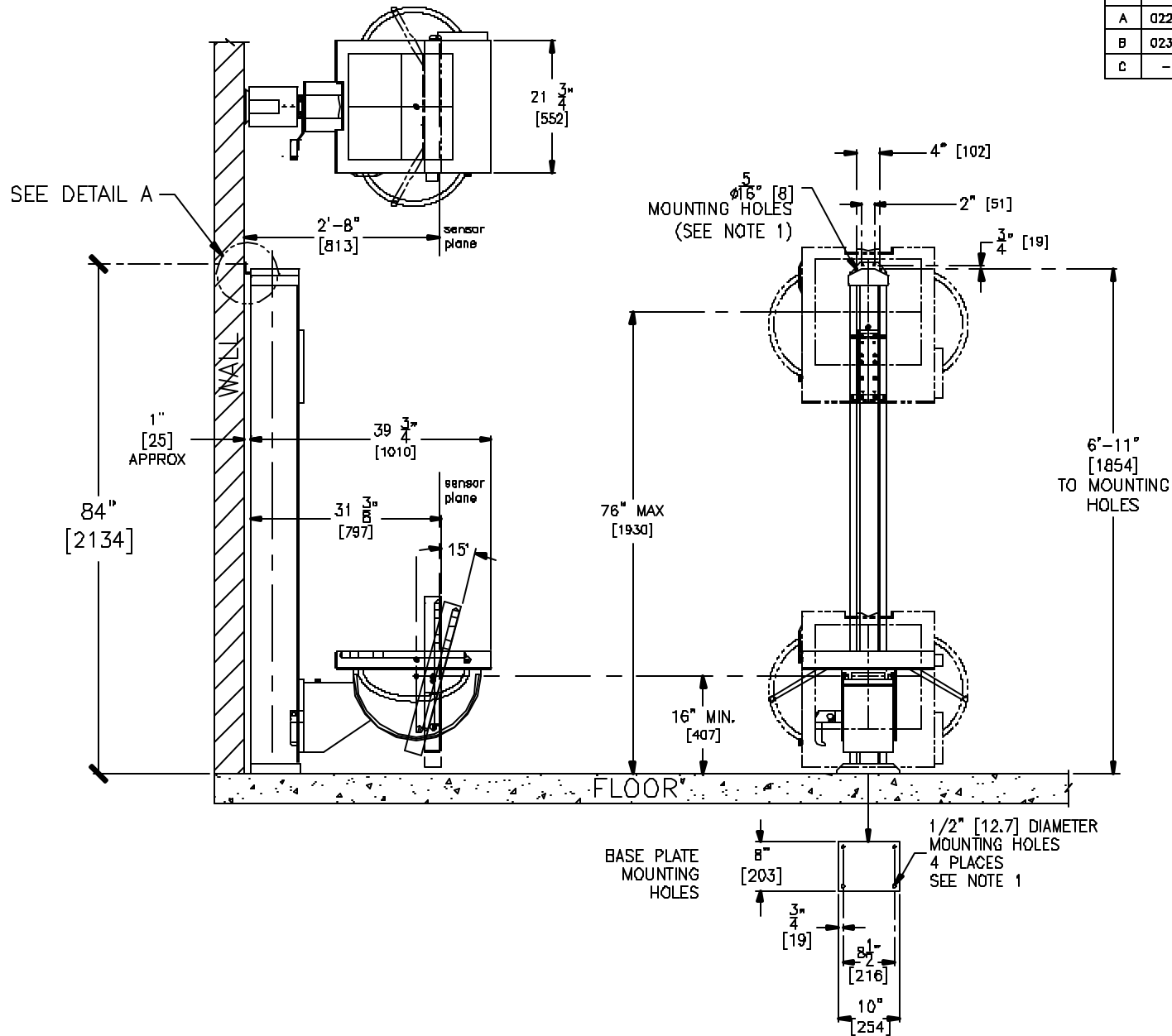


REVISIONS				
REV	ECN	DESCRIPTION	DATE	DRN BY
A	Q22B	RELEASED	1-5-01	DW
B	Q233	MODIFIED DIMENSIONS.	1-24-01	DW
C	-	ADDED MOUNTING HOLE LOCATIONS	3-9-01	DW



NOTES:

1. MOUNTING HARDWARE MUST WITHSTAND APPROX. 100 LBS [45.36 kg] PULL.
2. ALL DIMENSIONS SUBJECT TO CHANGE WITHOUT PRIOR NOTICE.

PROPRIETARY
 THIS DOCUMENT EMBODIES PROPRIETARY RIGHTS OF QMI LLC. IT IS FURNISHED FOR REFERENCE ONLY. ALL OTHER USE IS PROHIBITED.

DRAWN BY DCN WHITE	DATE 1-5-01	Quantum Medical Imaging, LLC	
CHECKED BY			
ENG APPROVAL		TITLE VERTI-Q TILT-D TILTING BUCKY STAND	
QA APPROVAL		MODEL NOS. GW-420-T-D	DWG/PART NO DC80-008
MFG APPROVAL		REV C	
SCALE NOT TO SCALE		DWG CAT DOCUMENTATION	
		SHEET 1 OF 1	